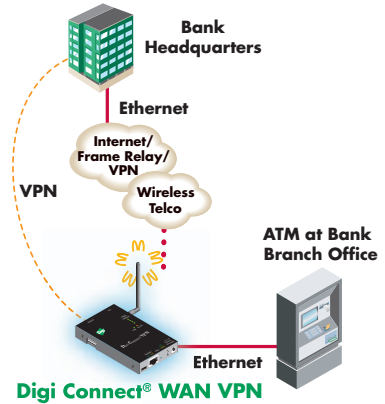
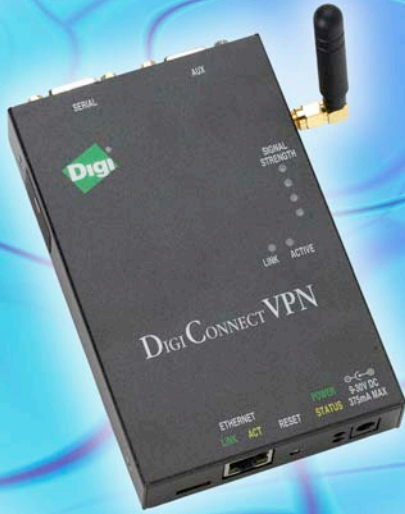


Digi Connect[®] WAN VPN GSM

Wireless VPN Gateway/Router

Digi Connect WAN VPN GSM creates a secure wireless WAN connection via an Ethernet-to-GSM interface for primary and backup network connectivity to remote sites and devices.



Features/Benefits

- > GSM/GPRS with EDGE network for high speed wireless network connectivity
- > Quadband 1900/850 and 1800/900 MHz GSM GPRS/EDGE interface for use in U.S. and global markets
- > Integrated VPN with IPsec for secure wireless network connections
- > 10/100Base-T Ethernet for direct IP connection to Ethernet port on existing router or IP device
- > 9-30VDC for diverse power input
- > Web interface for easy centralized console configuration and statistics
- > Integrates with Digi Connectware[®] Suite for seamless management of hundreds or thousands of devices
- > Up to 256-bit AES security provides encryption and authentication for management communications via Digi Connectware[®] Manager

Overview

Digi Connect WAN VPN GSM, a wireless Wide Area Network (WAN) gateway/router, provides a secure alternative to traditional wired networks, utilizing wireless GSM technology to create primary and backup network connectivity. Using Internet Protocol Security (IPsec) standards, the Digi Connect WAN VPN GSM creates a secure virtual private network via the cellular network, providing most any remote site or device seamless access to the corporate IP network. It is ideal for use where wired networks (e.g., frame relay, leased lines, ISDN, DSL) are not feasible or where secure alternative network connections are required.

With a General Packet Radio Service (GPRS) class 12 and Enhanced Data Rates for GSM Evolution (EDGE) class 10 wireless interface, Digi Connect WAN VPN GSM provides data rates up to 240 Kbps (100-130 Kbps typical). Benefits of wireless communications via Digi Connect WAN VPN GSM include instant deployment, secure connections, elimination of problems due to wire breaks, the ability to traverse firewalls, and the flexibility to move the connection virtually anywhere. Plus, by using the unique Digi SureLink[™] "always-on" feature, users can keep a connection alive via device or server initiated settings, which enables quick communications whenever needed.

Digi Connect WAN VPN GSM satisfies applications that require the transmission of sensitive, private or mission-critical information, such as data from ATMs and credit card equipment. Advanced IPsec encryption and authentication algorithms used by the Connect WAN VPN GSM are trusted, even by IT administrators.

Another benefit of Digi Connect WAN VPN GSM is the ability to create a static IP connection to the remote site, no matter what type of IP is assigned to the device on the wireless network.

Please contact us at 1-800-437-7251 or 952-912-3444 for additional information or to discuss your specific application requirements.



Features/Specifications



FEATURES

- Easily accessible SIM
 - Network protocols
 - UDP/TCP, DHCP
 - Status LEDs
 - Ethernet, power on, cellular link/activity, signal strength
 - Patented RealPort for COM ports and RFC 2217
- Router/Firewall Features**
- NAT
 - Port forwarding
 - VPN pass-through
 - Access control lists (IP filtering)
- VPN Features**
- IPsec with IKE/ISAKMP
 - Multiple tunnel support
 - DES, 3DES and up to 256-bit AES Encryption
- Management**
- HTTP for web management
 - Optional secure enterprise management via Digi Connectware Manager
- Security**
- SSL, SSH v.2, FIPS 197 (serial connection)
- RF Features**
- Network: Quadband 1900/850 and 1800/900 MHz GSM GPRS/EDGE
 - GPRS Class 12 / EDGE Class 10
 - Throughput up to 240 Kbps, 100-130 Kbps typical
 - RF antenna connector: 50 Ohm SMA
 - Attached swivel dipole antenna

ENVIRONMENTAL

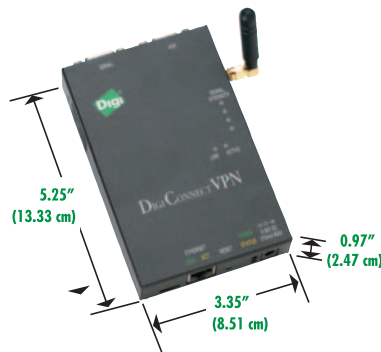
- Operating temperature: -30° C to +60° C (-22° F to +140° F)
- Relative humidity: 5% to 95% (non-condensing)
- Ethernet isolation: 1500VAC min per IEEE802.3/ANSI X3.263
- Serial port protection (ESD): +15 kV Air 6 AP and +8 kV contact discharge per IEC 1000-4-2

SERIAL INTERFACE

- RS-232/422/485 DB-9M
- Throughput up to 230 Kbps
- Full signal support for TXD, RXD, RTS, CTS, DTR, DSR and DCD
- Hardware and software flow control
- Can provide diverse out-of-band console management for network devices like routers and switches

DIMENSIONS

- Width: 3.35 in (8.51 cm)
- Height: 0.97 in (2.47 cm)
- Length: 5.25 in (13.33 cm)
- Weight: 1.00 lb (0.45 g)



REGULATORY APPROVALS

- Safety**
- UL 60950
 - CSA 22.2 No. 60950
 - EN60950
- Emissions/Immunity**
- CE
 - FCC Part 15, Class A
 - AS/NZS CISPR 22
 - EN55024
 - EN55022, Class A
- Mobile Certifications**
- PTCRB, NAPRD.03
 - GCF-CC
 - R&TTE, EN 301 511 Cingular Wireless Certification

POWER REQUIREMENTS

- Power input: 9-30VDC
- 12VDC power supply for 0° C to 60° C (32° F to 140° F) included; extended temperature available
- Power consumption
 - Idle: 1.2 W
 - Max: 3.4 W
- Surge protection (with included power supply)
 - 4 kV burst (EFT) per-4-4
 - 2 kV surge per EN61000-4-5 (non-condensing)

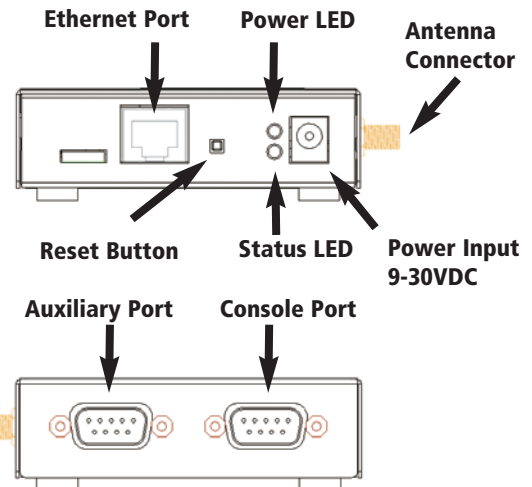
ETHERNET INTERFACE

- Connector: RJ-45
- Standard: IEEE 802.3
- Physical Layer: 10/100Base-T
- Data rate: 10/100 Mbps (auto-sensing)
- Mode: full or half duplex (auto-sensing)

MODEL.....PART NUMBERS

Model	North America	International
Digi Connect WAN VPN GSM with Antenna	DC-VPN-GE10A	DC-VPN-GE10A-W
Extended Temperature Power Supply	76000717	76000717

Please contact us at 1-800-437-7251 or 952-912-3444 for additional information or to discuss your specific application requirements.



DIGI SERVICE AND SUPPORT

You can purchase with confidence knowing that Digi is here to support you with expert technical support and a strong five-year warranty. <http://support.digi.com>

Digi International

11001 Bren Road E.
 Minnetonka, MN 55343
 U.S.A.
 PH: 877-912-3444
 952-912-3444
 FX: 952-912-4952
www.digi.com

Digi International GmbH

Joseph-von-Fraunhofer Str. 23
 D-44227 Dortmund
 Germany
 PH: +49-231-9747-0
 FX: +49-231-9747-111
www.digi.de

Digi International (HK) Limited

Suite 1703-05, 17/F,
 K Wah Centre
 191 Java Road
 North Point, Hong Kong
 PH: +852-2833-1008
 FX: +852-2572-9989
www.digi.cn

www.digi.com

email:
info@digi.com



91001347
 B1/1205

© 2005 Digi International Inc.

Digi, Digi International, the Digi logo, the Making Device Networking Easy logo, RealPort, Digi Connect, Digi Connectware and Digi Surelink are trademarks or registered trademarks of Digi International, Inc. in the United States and other countries worldwide. All other trademarks are the property of their respective owners.